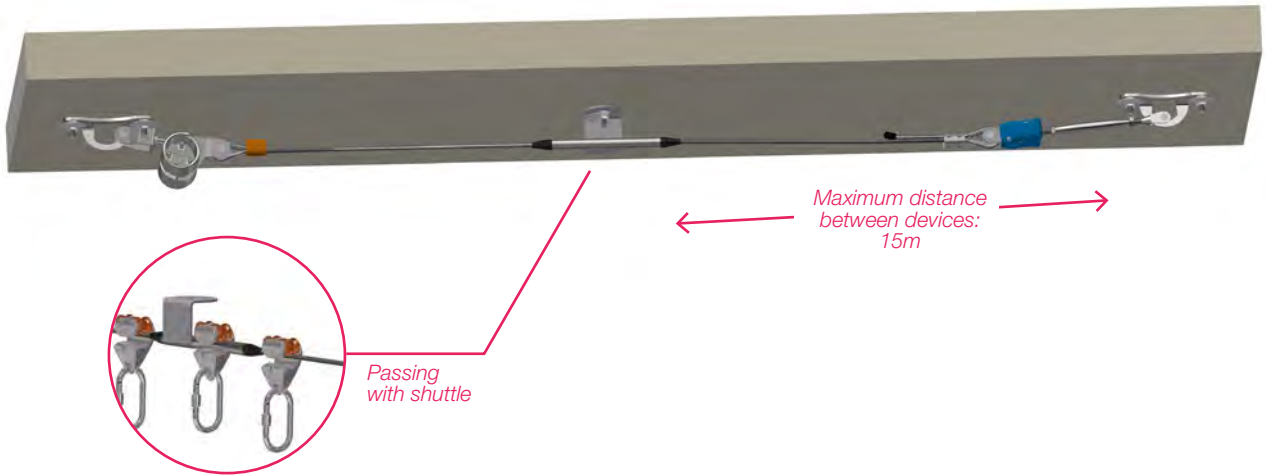
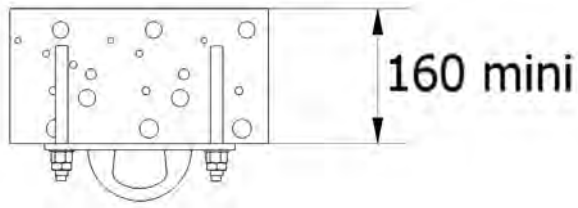


LIFELINES ON STANDARD POSTS OVERHEAD LIFELINE

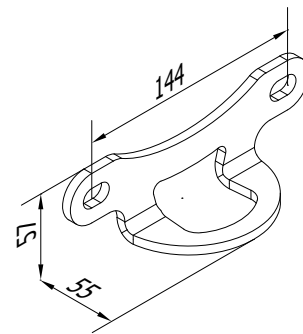


Fixing



Fixing with two M12 chemical fixings. The device can also be fixed by standard clamping on wood or metallic beam.

Dimensions



End plate

Accessories



Shuttle



The stainless steel shuttle is equipped with rollers mounted on ball bearing. It is specially designed to be used with a self-retracting lifeline.